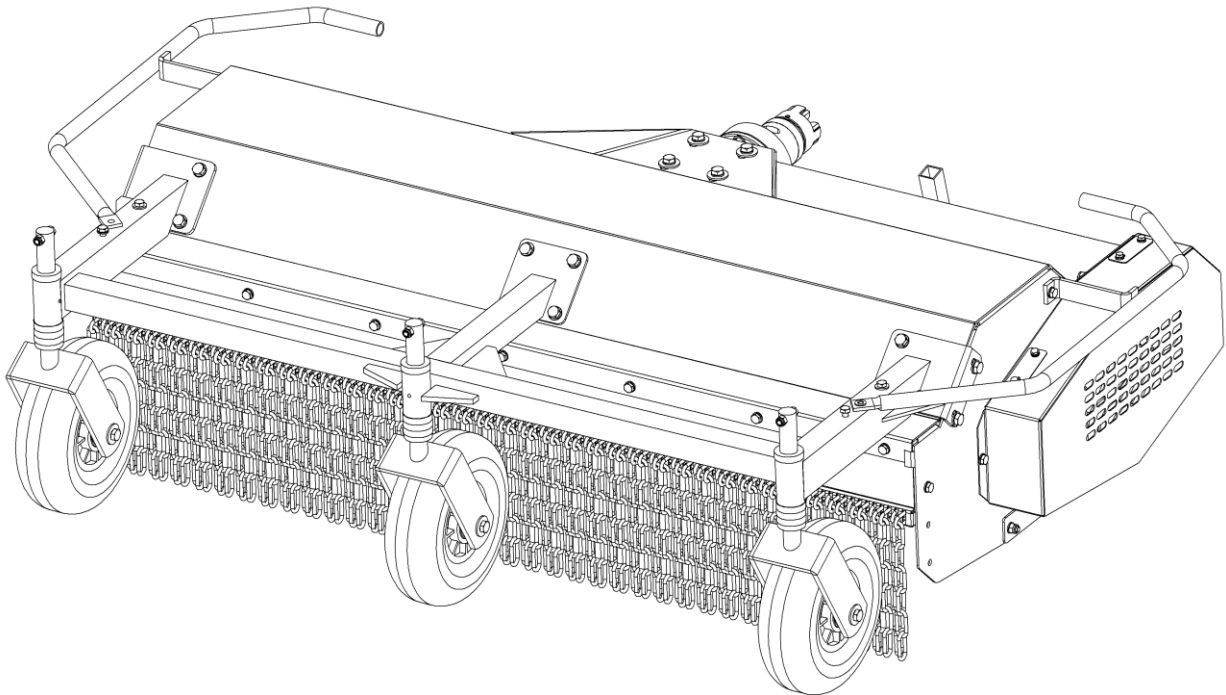




Spare Parts List

Horizontal - Flail mower for UBS

SCHLM 065 MU 70 – SCHLM 090 MU 70
SCHLM 100 MU 70 – SCHLM 120 MU 70



Order number: E00034

from machine number:

Rev.: 01

Status: 10.01.2019

Kersten
SITE MAINTENANCE EQUIPMENT

KERSTEN (UK) LTD

0118 9869 253 | kerstenuk.com

Office@kerstenuk.com

39 Boulton Road, Reading, Berkshire, RG2 0NH

table of contents

1 MODEL OVERVIEW 3

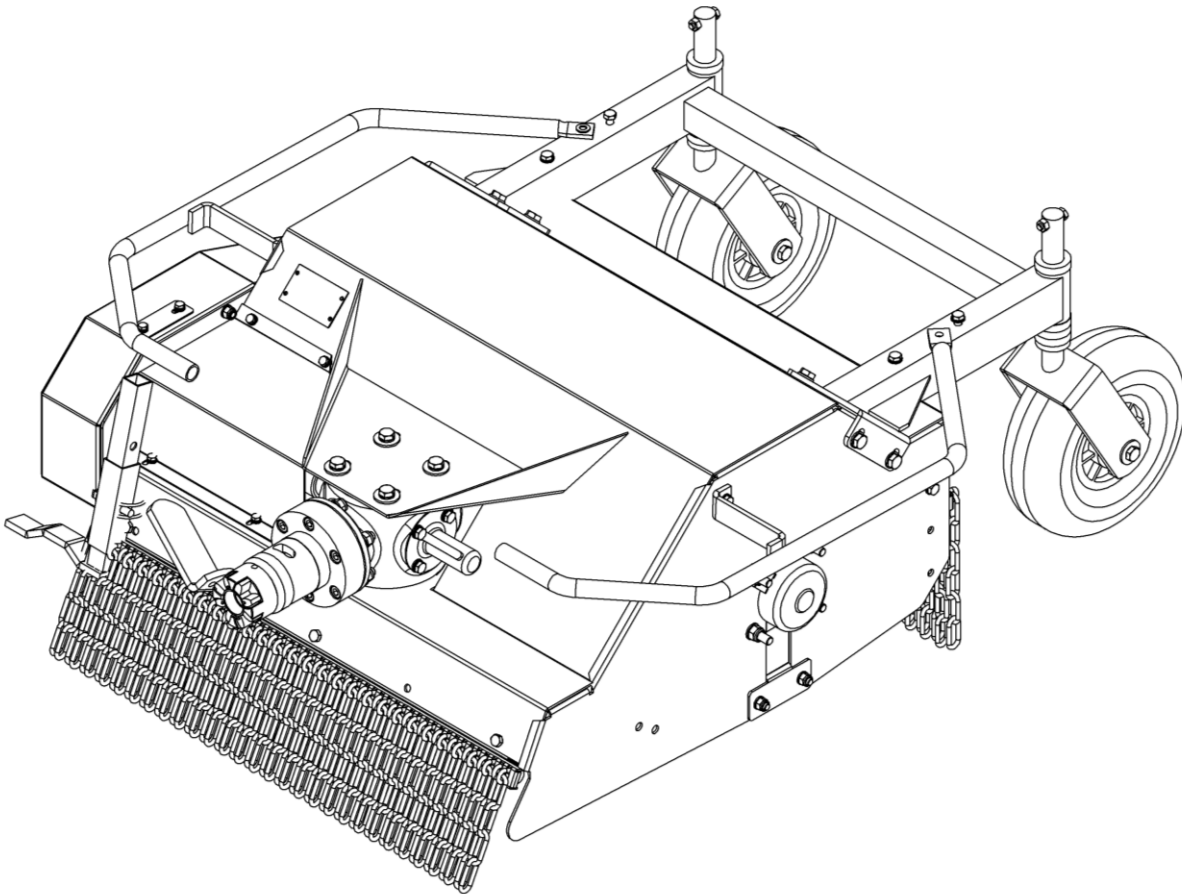
1.1 Mounted flail mowers	3
1.1.1 SCHLM 065 MU 70 - C01079 R00.....	3
1.1.2 SCHLM 090 MU 70 - C01113 R00.....	4
1.1.3 SCHLM 100 MU 70 - C01114 R00.....	4
1.1.4 SCHLM 120 MU 70 - C01604 R00.....	4

2 COMPONENT OVERVIEW 5

2.1 Basic flail mower attachment	5
2.1.1 Flail mower 65 AB - Assembly - C00776 R00	6
2.1.2 Flail mower 90 AB - Assembly - C00925 R00	7
2.1.3 Flail mower 100 AB - Assembly - C00966 R00	9
2.1.4 Flail mower 120 AB - Assembly - C01076 R00	10
2.2 Wheel holder 65 AB for 2 wheels - C01218 R00	12
2.3 Wheel holder 90 AB for 2 wheels - C01145 R00	13
2.4 Wheel holder 100 AB for 2 wheels - C01231 R00	13
2.5 Wheel holder 120 AB for 3 wheels - C01151 R00	13
2.6 Wheel holder 135 AB for 3 wheels - C00713 R00	14
2.7 Flail shaft 65 AB - C01417 R00	15
2.8 Flail shaft 90 AB - C01146 R00	16
2.9 Flail shaft 100 AB - C01242 R00	16
2.10 Flail shaft 120 AB - C01243 R00	16
2.11 Front chain guard 65 AB - C01219 R00	17
2.12 Front chain guard 90 AB - C01143 R00	18
2.13 Front chain guard 100 AB - C01153 R00	18
2.14 Front chain guard 120 AB - C01148 R00	18
2.15 Front chain guard 135 AB - C00716 R00	18
2.16 Rear chain guard 65 AB - C01220 R00	19
2.17 Rear chain guard 90 AB - C01144 R00	20
2.18 Rear chain guard 100 AB - C01154 R00	20
2.19 Rear chain guard 120 AB - C01149 R00	20

1 model overview

1.1 Mounted flail mower



1.1.1 SCHLM 065 MU 70 - C01079 R00

Nr.	Art.-No.	No.	designation
1	C01218 R00	1	wheel holder 65 AB
2	C01219 R00	1	front chain guard 65 AB
3	C01220 R00	1	rear chain guard 65 AB
4	C01417 R00	1	flail shaft 65 AB
5	C00776 R00	1	Flail mower 65 AB assembly

1.1.2 SCHLM 090 MU 70 - C01113 R00

No.	Art.-No.	No.	designation
1	C01145 R00	1	wheel holder 90 AB
2	C01143 R00	1	front chain guard 90 AB
3	C01144 R00	1	rear chain guard 90 AB
4	C01146 R00	1	flail shaft 90 AB
5	C00925 R00	1	Flail mower 90 AB assembly

1.1.3 SCHLM 100 MU 70 - C01114 R00

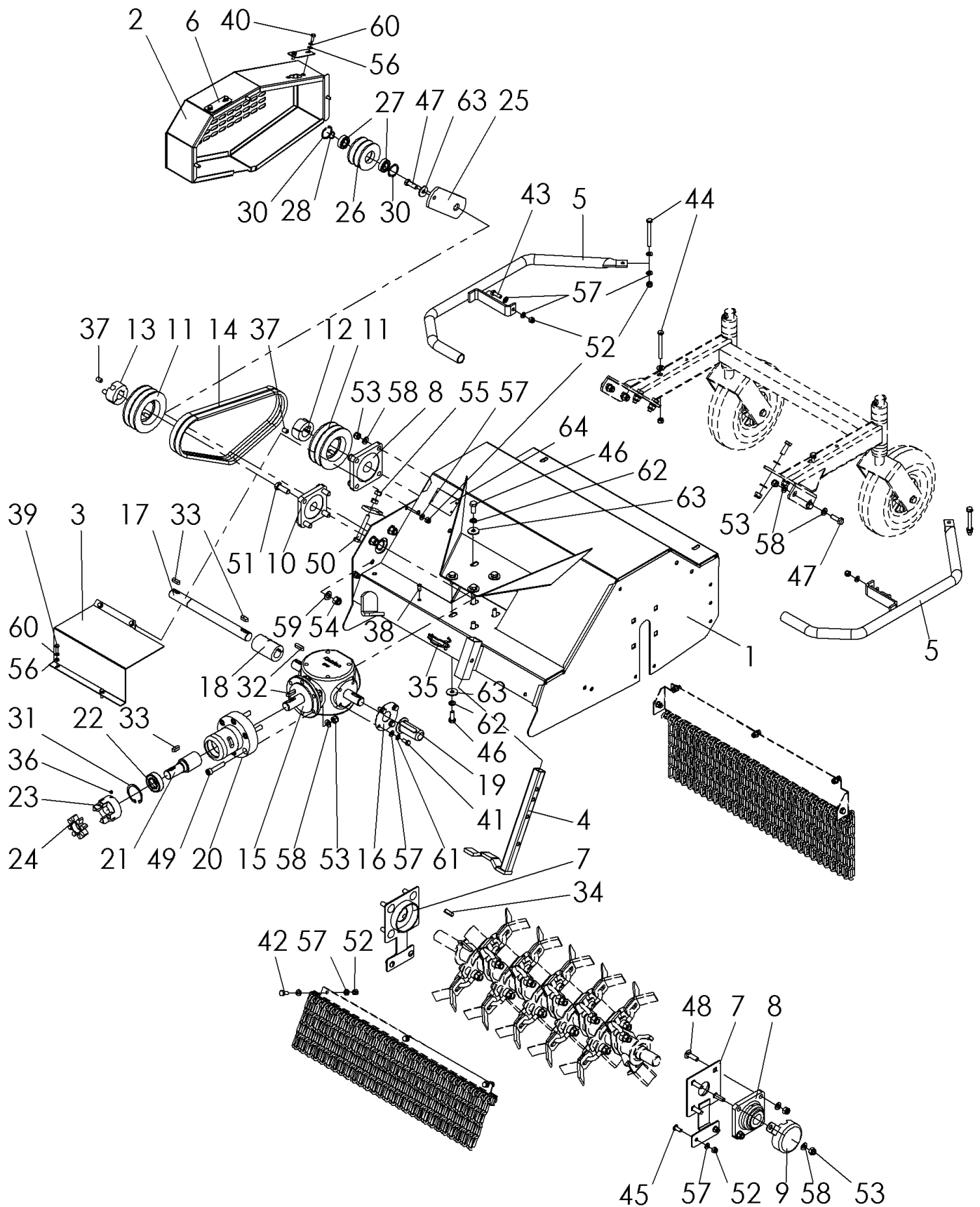
No.	Art.-No.	No.	designation
1	C01231 R00	1	wheel holder 100 AB
2	C01153 R00	1	front chain guard 100 AB
3	C01154 R00	1	rear chain guard 100 AB
4	C01242 R00	1	flail shaft 100 AB
5	C00966 R00	1	Flail mower 100 AB assembly

1.1.4 SCHLM 120 MU 70 - C01604 R00

No.	Art.-No.	No.	designation
1	C01151 R00	1	wheel holder 120 AB
2	C01148 R00	1	front chain guard 120 AB
3	C01149 R00	1	rear chain guard 120 AB
4	C01243 R00	1	flail shaft 120 AB
5	C01076 R00	1	Flail mower 120 AB assembly

2 assembly overview

2.1 Basic attachment flail mower



2.1.1 Flail mower 65 AB - Assembly - C00776 R00

No.	Art.-No.	No.	designation
1	C01658	1	Basic housing mounted flail mower 65 AB
2	C06649	1	V-belt guard flail mower
3	950 010 617	1	drive shaft protection 65 AB
4	950 010 019	1	parking support
5	950 010 009	2	side bars
6	765 000 016	2	blind cover
7	765 065 190	2	wrap protection
8	924 110 206	2	camp
9	765,000,046	1	bearing cap
10	924 110 205	1	camp
11	921 220 112	2	V-belt pulley
12	921 600 030	1	taper lock bushing
13	909 600 025	1	clamp coupling
14	921 117 925	1	V-belt set
15	922 202 021	1	transmission
16	950 010 018	1	screw plate
17	C03487	1	drive shaft
18	925 045 025	1	rigid coupling
19	943 400 038	1	cover cap
20	950 010 121	1	flail mower attachment
20a	C03932	1	mandrel hardened
21	C04250	1	drive stub
22	924 106 205	1	ball bearings
23	925 301 025	1	clutch claw
24	925 302 098	1	clutch driver
25	950 010 012	1	tension pulley holder
26	921 300 071	1	V-belt pulley
27	924 106 003	2	camp
28	905,917,000	1	retaining ring outside
29	905,925,000	1	retaining ring outside
30	906,000,350	2	retaining ring inside
31	906,000,520	1	retaining ring inside
32	908 008 730	2	feather key
33	908 008 725	3	feather key
34	908 008 730	1	feather key
35	907 190 950	1	pipe linchpin
36	902 306 016	1	grub screw
37	902 310 016	3	grub screw
38	900 006 006	4	Draw-in nut M6, countersunk head
39	601 006 020	4	hexagon screw without shaft
40	901 006 016	5	hexagon screw without shaft
41	901 008 016	4	hexagon screw without shaft
42	901 008 020	8	hexagon screw without shaft
43	901 008 025	2	hexagon screw without shaft
44	901 108 080	4	hexagon screw with shaft
45	903 608 020	4	slotted truss head screw

46	901 010 025	8	hexagon screw without shaft
47	901 010 030	9	hexagon screw without shaft
48	901 910 035	8	carriage bolt
49	901 810 050	6	cylinder head screw with hexagon socket
50	901 010 070	1	hexagon screw without shaft
51	901 012 035	4	hexagon screw without shaft
52	900 008 002	21	lock nut
53	900 010 002	23	lock nut
54	900 012 002	4	lock nut
55	900 010 001	3	Skt.-Mutter
56	905,106,000	9	U-disk
57	905,108,000	37	U-disk
58	905,110,000	31	U-disk
59	905,112,000	4	U-disk
60	905,006,000	9	spring ring
61	905 008 000	4	spring ring
62	905,010,000	8	spring ring
63	905,210,000	10	K-disk
64	upon request	1	nameplate

2.1.2 Flail mower 90 AB - Assembly - C00925 R00

No.	Art.-No.	No.	designation
1	C01657	1	Basic housing mounted flail mower 90 AB
2	C06649	1	V-belt guard flail mower
3	950 010 017	1	drive shaft protection 90 AB
4	950 010 019	1	parking support
5	950 010 009	2	side bars
6	765 000 016	2	blind cover
7	765 065 190	2	wrap protection
8	924 110 206	2	camp
9	765,000,046	1	bearing cap
10	924 110 205	1	camp
11	921 220 112	2	V-belt pulley
12	921 600 030	1	taper lock bushing
13	909 600 025	1	clamp coupling
14	921 117 925	1	V-belt set
15	922 202 021	1	transmission
16	950 010 018	1	screw plate
17	C03488	1	drive shaft
18	925 045 025	1	rigid coupling
19	943 400 038	1	cover cap
20	950 010 121	1	flail mower attachment
20a	C03932	1	mandrel hardened
21	C04250	1	drive stub
22	924 106 205	1	ball bearings
23	925 301 025	1	clutch claw
24	925 302 098	1	clutch driver
25	950 010 012	1	tension pulley holder

26	921 300 071	1	V-belt pulley
27	924 106 003	2	camp
28	905,917,000	1	retaining ring outside
29	905,925,000	1	retaining ring outside
30	906,000,350	2	retaining ring inside
31	906,000,520	1	retaining ring inside
32	908 008 730	2	feather key
33	908 008 725	3	feather key
34	908 008 730	1	feather key
35	907 190 950	1	pipe linchpin
36	902 306 016	1	grub screw
37	902 310 016	3	grub screw
38	900 006 006	4	Draw-in nut M6, countersunk head
39	601 006 020	4	hexagon screw without shaft
40	901 006 016	5	hexagon screw without shaft
41	901 008 016	4	hexagon screw without shaft
42	901 008 020	13	hexagon screw without shaft
43	901 008 025	2	hexagon screw without shaft
44	901 108 080	4	hexagon screw with shaft
45	903 608 020	4	slotted truss head screw
46	901 010 025	8	hexagon screw without shaft
47	901 010 030	9	hexagon screw without shaft
48	901 910 035	8	carriage bolt
49	901 810 050	6	cylinder head screw with hexagon socket
50	901 010 070	1	hexagon screw without shaft
51	901 012 035	4	hexagon screw without shaft
52	900 008 002	25	lock nut
53	900 010 002	23	lock nut
54	900 012 002	4	lock nut
55	900 010 001	3	Skt.-Mutter
56	905,106,000	9	U-disk
57	905,108,000	44	U-disk
58	905,110,000	31	U-disk
59	905,112,000	4	U-disk
60	905,006,000	9	spring ring
61	905 008 000	4	spring ring
62	905,010,000	8	spring ring
63	905,210,000	10	K-disk
64	upon request	1	nameplate

2.1.3 Flail mower 100 AB - Assembly - C00966 R00

No.	Art.-No.	No.	designation
1	C01080	1	Basic housing mounted flail mower 100 AB
2	C06649	1	V-belt guard flail mower
3	C01081	1	drive shaft protection 100 AB
4	950 010 019	1	parking support
5	950 010 009	2	side bars
6	765 000 016	2	blind cover
7	765 065 190	2	wrap protection
8	924 110 206	2	camp
9	765,000,046	1	bearing cap
10	924 110 205	1	camp
11	921 220 112	2	V-belt pulley
12	921 600 030	1	taper lock bushing
13	909 600 025	1	clamp coupling
14	921 117 925	1	V-belt set
15	922 202 021	1	transmission
16	950 010 018	1	screw plate
17	C03489	1	drive shaft
18	925 045 025	1	rigid coupling
19	943 400 038	1	cover cap
20	950 010 121	1	flail mower attachment
20a	C03932	1	mandrel hardened
21	C04250	1	drive stub
22	924 106 205	1	ball bearings
23	925 301 025	1	clutch claw
24	925 302 098	1	clutch driver
25	950 010 012	1	tension pulley holder
26	921 300 071	1	V-belt pulley
27	924 106 003	2	camp
28	905,917,000	1	retaining ring outside
29	905,925,000	1	retaining ring outside
30	906,000,350	2	retaining ring inside
31	906,000,520	1	retaining ring inside
32	908 008 730	2	feather key
33	908 008 725	3	feather key
34	908 008 730	1	feather key
35	907 190 950	1	pipe linchpin
36	902 306 016	1	grub screw
37	902 310 016	3	grub screw
38	900 006 006	4	Draw-in nut M6, countersunk head
39	601 006 020	4	hexagon screw without shaft
40	901 006 016	5	hexagon screw without shaft
41	901 008 016	4	hexagon screw without shaft
42	901 008 020	17	hexagon screw without shaft
43	901 008 025	2	hexagon screw without shaft
44	901 108 080	4	hexagon screw with shaft

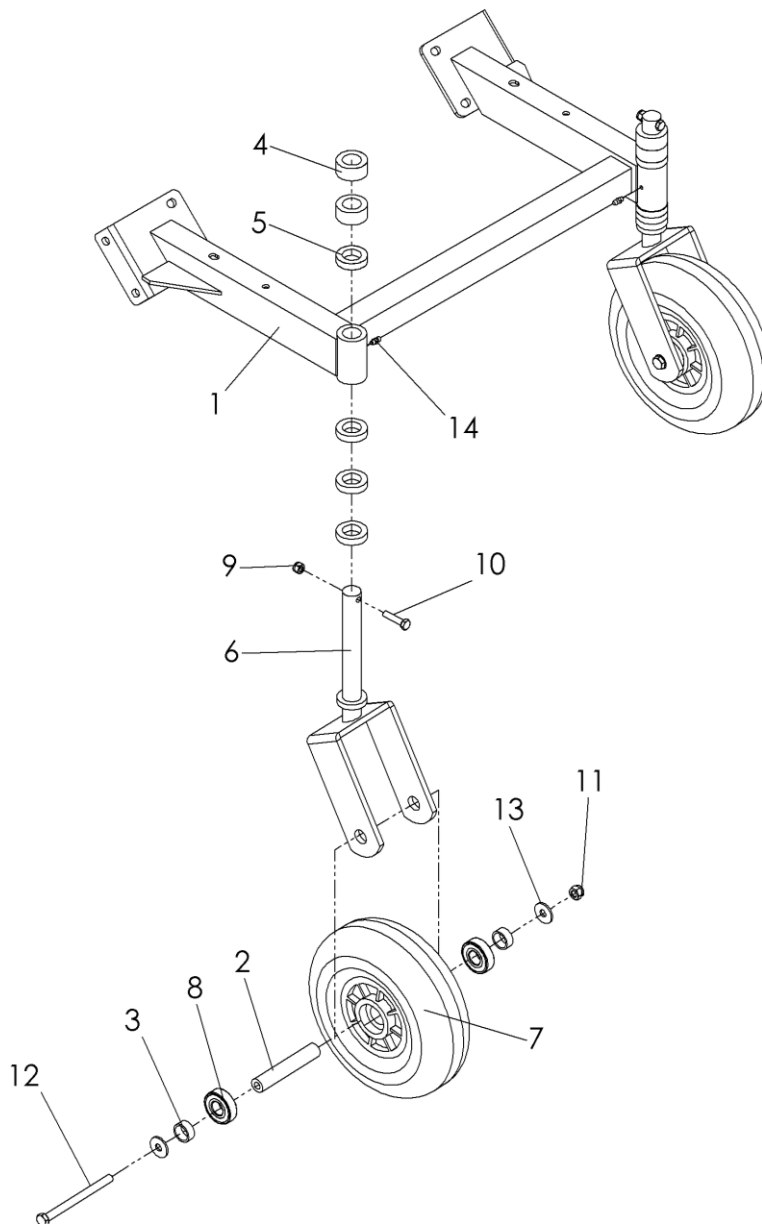
45	903 608 020	4	slotted truss head screw
46	901 010 025	8	hexagon screw without shaft
47	901 010 030	9	hexagon screw without shaft
48	901 910 035	8	carriage bolt
49	901 810 050	6	cylinder head screw with hexagon socket
50	901 010 070	1	hexagon screw without shaft
51	901 012 035	4	hexagon screw without shaft
52	900 008 002	29	lock nut
53	900 010 002	23	lock nut
54	900 012 002	4	lock nut
55	900 010 001	3	Skt.-Mutter
56	905,106,000	9	U-disk
57	905,108,000	52	U-disk
58	905,110,000	34	U-disk
59	905,112,000	4	U-disk
60	905,006,000	9	spring ring
61	905 008 000	4	spring ring
62	905,010,000	8	spring ring
63	905,210,000	10	K-disk
64	upon request	1	nameplate

2.1.4 Flail mower 120 AB - Assembly - C01076 R00

No.	Art.-No.	No.	designation
1	C01670	1	Basic housing mounted flail mower 120 AB
2	C06649	1	V-belt guard flail mower
3	765 120 012	1	drive shaft protection 120 AB
4	950 010 019	1	parking support
5	950 010 009	2	side bars
6	765 000 016	2	blind cover
7	765 065 190	2	wrap protection
8	924 110 206	2	camp
9	765,000,046	1	bearing cap
10	924 110 205	1	camp
11	921 220 112	2	V-belt pulley
12	921 600 030	1	taper lock bushing
13	909 600 025	1	clamp coupling
14	921 117 925	1	V-belt set
15	922 202 021	1	transmission
16	950 010 018	1	screw plate
17	C03490	1	drive shaft
18	925 045 025	1	rigid coupling
19	943 400 038	1	cover cap
20	950 010 121	1	flail mower attachment
20a	C03932	1	mandrel hardened
21	C04250	1	drive stub
22	924 106 205	1	ball bearings
23	925 301 025	1	clutch claw

24	925 302 098	1	clutch driver
25	950 010 012	1	tension pulley holder
26	921 300 071	1	V-belt pulley
27	924 106 003	2	camp
28	905,917,000	1	retaining ring outside
29	905,925,000	1	retaining ring outside
30	906,000,350	2	retaining ring inside
31	906,000,520	1	retaining ring inside
32	908 008 730	2	feather key
33	908 008 725	3	feather key
34	908 008 730	1	feather key
35	907 190 950	1	pipe linchpin
36	902 306 016	1	grub screw
37	902 310 016	3	grub screw
38	900 006 006	4	Draw-in nut M6, countersunk head
39	601 006 020	4	hexagon screw without shaft
40	901 006 016	5	hexagon screw without shaft
41	901 008 016	4	hexagon screw without shaft
42	901 008 020	17	hexagon screw without shaft
43	901 008 025	2	hexagon screw without shaft
44	901 108 080	4	hexagon screw with shaft
45	903 608 020	4	slotted truss head screw
46	901 010 025	8	hexagon screw without shaft
47	901 010 030	13	hexagon screw without shaft
48	901 910 035	8	carriage bolt
49	901 810 050	6	cylinder head screw with hexagon socket
50	901 010 070	1	hexagon screw without shaft
51	901 012 035	4	hexagon screw without shaft
52	900 008 002	29	lock nut
53	900 010 002	27	lock nut
54	900 012 002	4	lock nut
55	900 010 001	3	Skt.-Mutter
56	905,106,000	9	U-disk
57	905,108,000	52	U-disk
58	905,110,000	42	U-disk
59	905,112,000	4	U-disk
60	905,006,000	9	spring ring
61	905 008 000	4	spring ring
62	905,010,000	8	spring ring
63	905,210,000	10	K-disk
64	upon request	1	nameplate

2.2 Wheel holder 65 AB for 2 wheels - C01218 R00



No.	Art.-No.	No.	designation
1	765,000,165	1	wheel holder
2	705 205 113	2	wheel axle
3	705 273 115	4	spacer ring
4	713 020 040	4	spacer ring 20 mm
5	950 010 006	8	spacer ring 10 mm
6	950 010 005	2	wheel fork
7	926 154 135	2	wheel
8	924 106 204	4	camp
9	900 008 002	2	lock nut
10	901 008 035	2	hexagon screw without shaft
11	900 010 002	2	lock nut
12	901 110 130	2	hexagon screw with shaft
13	905,210,000	4	K-disk
14	910,006,000	2	grease nipple

2.3 Wheel holder 90 AB for 2 wheels - C01145 R00

No.	Art.-No.	No.	designation
1	765,000,190	1	wheel holder
2	705 205 113	2	wheel axle
3	705 273 115	4	spacer ring
4	713 020 040	4	spacer ring 20 mm
5	950 010 006	8	spacer ring 10 mm
6	950 010 005	2	wheel fork
7	926 154 135	2	wheel
8	924 106 204	4	camp
9	900 008 002	2	lock nut
10	901 008 035	2	hexagon screw without shaft
11	900 010 002	2	lock nut
12	901 110 130	2	hexagon screw with shaft
13	905,210,000	4	K-disk
14	910,006,000	2	grease nipple

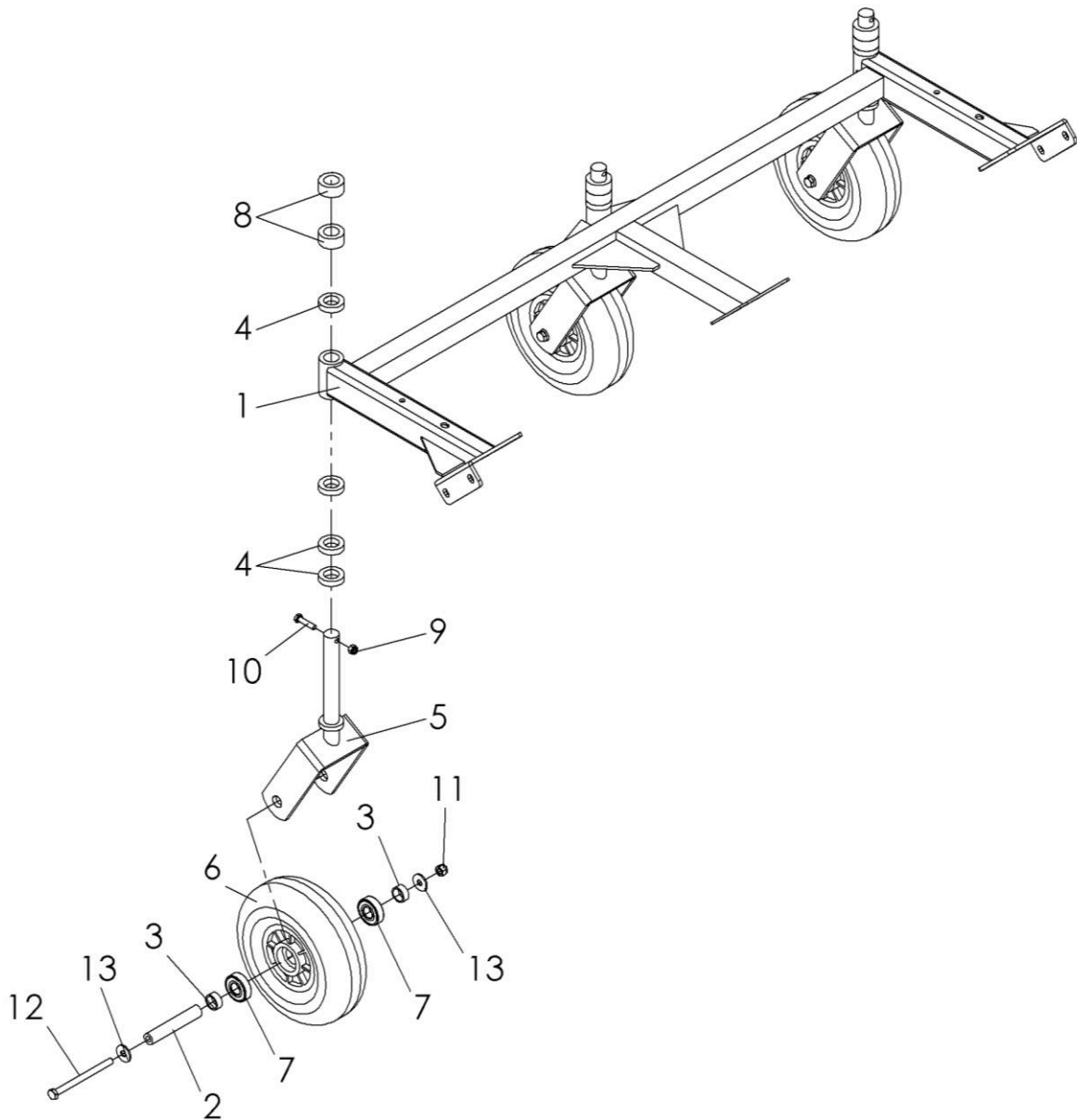
2.4 Wheel holder 100 AB for 2 wheels - C01231 R00

No.	Art.-No.	No.	designation
1	765 100 110	1	wheel holder
2	705 205 113	2	wheel axle
3	705 273 115	4	spacer ring
4	713 020 040	4	spacer ring 20 mm
5	950 010 006	8	spacer ring 10 mm
6	950 010 005	2	wheel fork
7	926 154 135	2	wheel
8	924 106 204	4	camp
9	900 008 002	2	lock nut
10	901 008 035	2	hexagon screw without shaft
11	900 010 002	2	lock nut
12	901 110 130	2	hexagon screw with shaft
13	905,210,000	4	K-disk
14	910,006,000	2	grease nipple

2.5 Wheel holder 120 AB for 3 wheels - C01151 R00

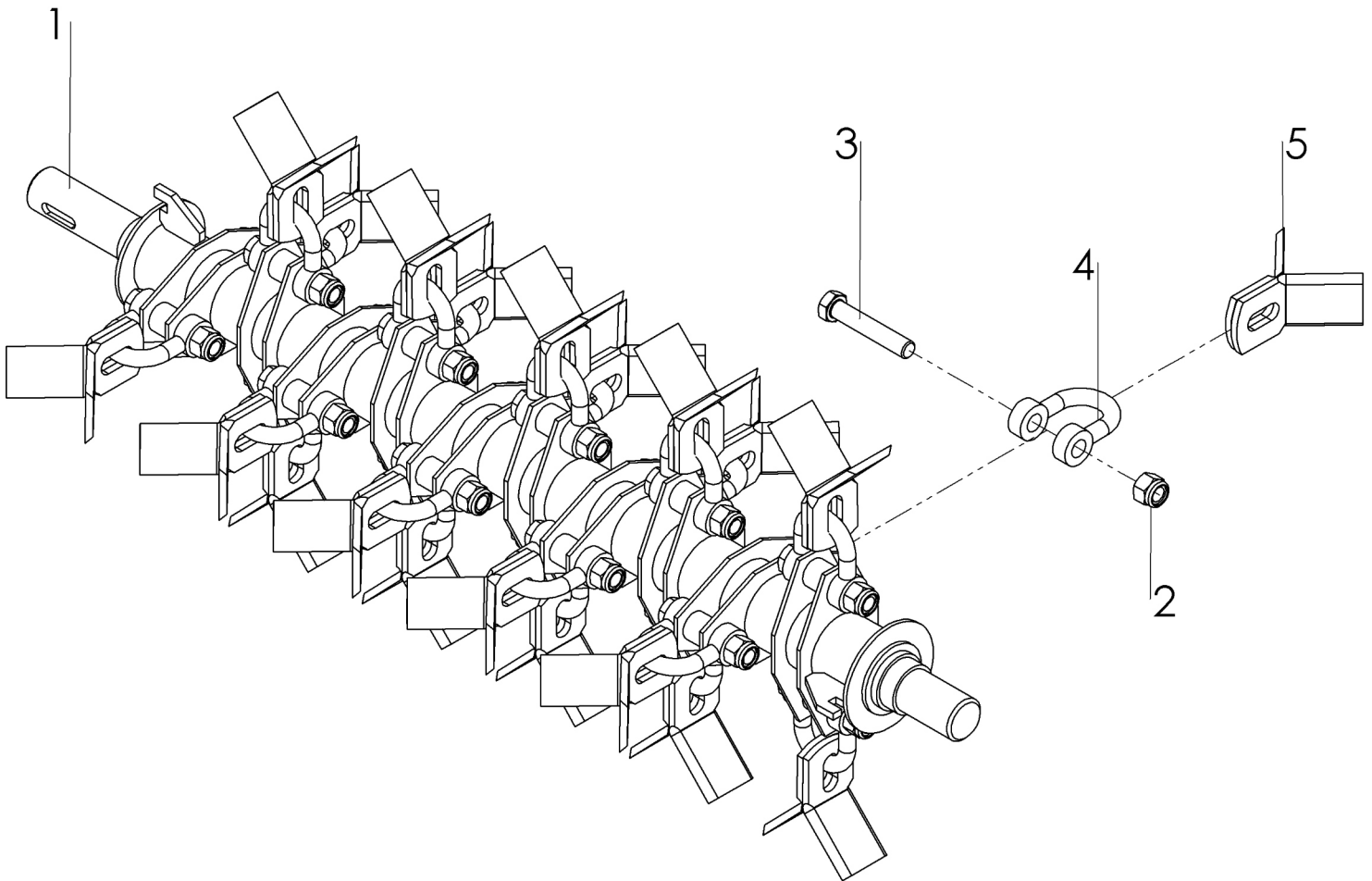
No.	Art.-No.	No.	designation
1	765 120 130	1	wheel holder
2	705 205 113	2	wheel axle
3	705 273 115	4	spacer ring
4	713 020 040	4	spacer ring 20 mm
5	950 010 006	8	spacer ring 10 mm
6	950 010 005	2	wheel fork
7	926 154 135	2	wheel
8	924 106 204	4	camp
9	900 008 002	2	lock nut
10	901 008 035	2	hexagon screw without shaft
11	900 010 002	2	lock nut
12	901 110 130	2	hexagon screw with shaft
13	905,210,000	4	K-disk
14	910,006,000	2	grease nipple

2.6 Wheel holder 135 AB for 3 wheels - C00713 R00



No.	Art.-No.	No.	designation
1	C00685	1	wheel holder
2	705 205 113	3	wheel axle
3	705 273 115	6	spacer ring
4	950 010 006	12	spacer ring 10 mm
5	950 010 005	3	wheel fork
6	926 154 135	3	wheel
7	924 106 204	6	camp
8	713 020 040	6	spacer ring 20 mm
9	900 008 002	1	lock nut
10	901 008 035	1	hexagon screw without shaft
11	900 010 002	1	lock nut
12	901 110 130	3	hexagon screw with shaft
13	905,210,000	2	K-disk

2.7 Flail shaft 65 AB - C01417 R00



No.	Art.-No.	No.	designation
1	950 010 610	1	flail shaft 65 AB
2	900 012 002	20	lock nut
3	901 112 065	20	hexagon screw
4	950 014 001	20	hanger

Optional

No.	Art.-No.	No.	designation
5	950 014 002	40	coarse cutting flail
5	950 014 003	20	fine-cut flail

2.8 Flail shaft 90 AB - C01146 R00

No.	Art.-No.	No.	designation
1	950 011 010	1	flail shaft 90 AB
2	900 012 002	28	lock nut
3	901 112 065	28	hexagon screw with shaft
4	950 014 001	28	hanger

Optional

No.	Art.-No.	No.	designation
5	950 014 002	56	coarse cutting flail
5	950 014 003	28	fine-cut flail

2.9 Flail shaft 100 AB - C01242 R00

No.	Art.-No.	No.	designation
1	765 100 300	1	flail shaft 100 AB
2	900 012 002	32	lock nut
3	901 112 065	32	hexagon screw
4	950 014 001	32	hanger

Optional

No.	Art.-No.	No.	designation
5	950 014 002	64	coarse cutting flail
5	950 014 003	32	fine-cut flail

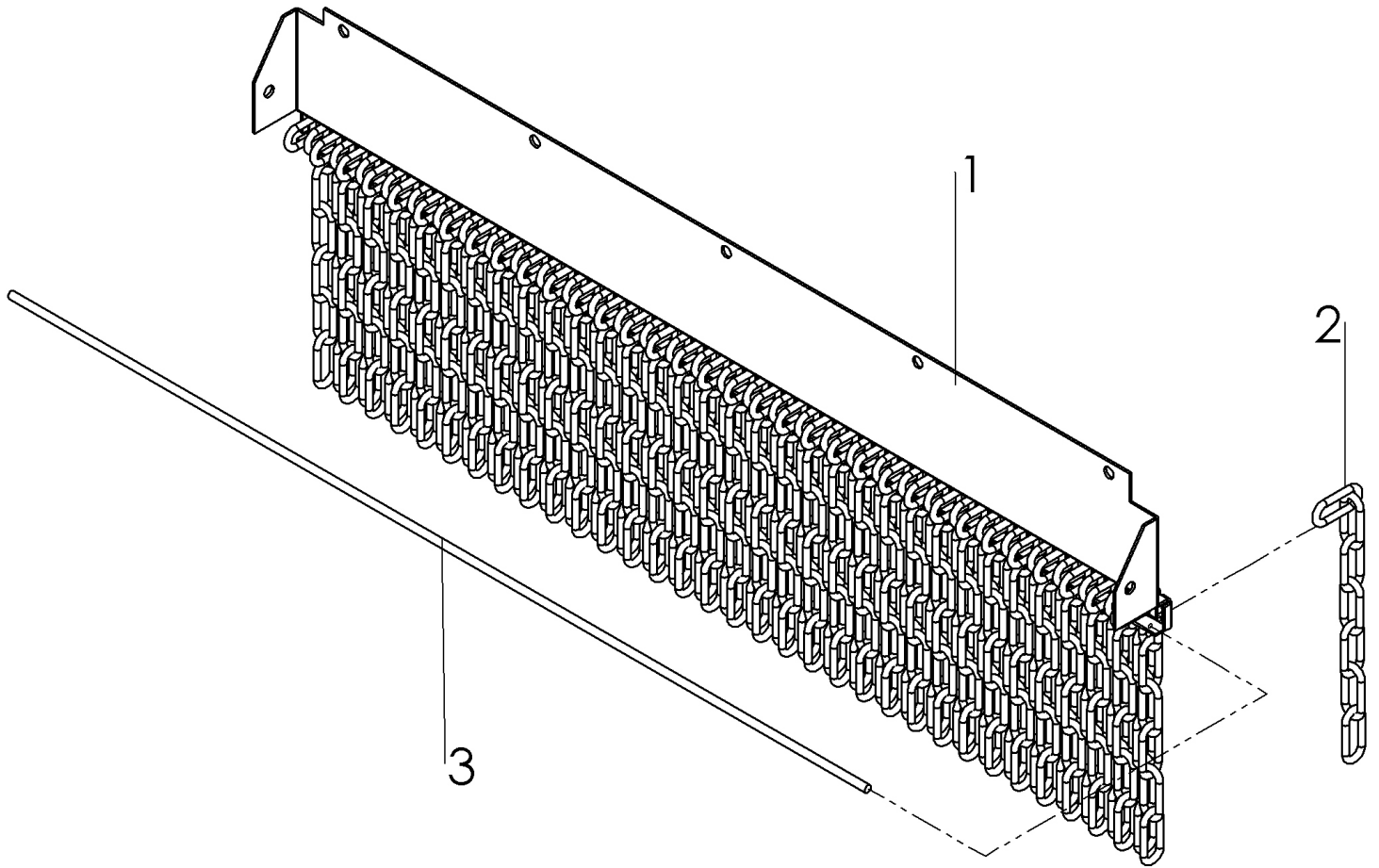
2.10 Flail shaft 120 AB - C01243 R00

No.	Art.-No.	No.	designation
1	765,000,118	1	flail shaft complete 120 AB
2	900 012 002	38	lock nut
3	901 112 065	38	hexagon screw
4	950 014 001	38	hanger

Optional

No.	Art.-No.	No.	designation
5	950 014 002	76	coarse cutting flail
5	950 014 003	38	fine-cut flail

2.11 Front chain guard 65 AB - C01219 R00



No.	Art.-No.	No.	designation
1	C00348	1	Screw-on bar chain guard front 65 AB
2	C00720	56	front chain set
3	C01140	1	Mounting rod for chain set 65 AB

2.12 Front chain guard 90 AB - C01143 R00

No.	Art.-No.	No.	designation
1	C00333	1	screw-on bar chain guard front
2	C00720	76	front chain set
3	C01142	1	mounting rod for chain set

2.13 Front chain guard 100 AB - C01153 R00

No.	Art.-No.	No.	designation
1	C00352	1	Screw-on bar chain guard front 100 AB
2	C00720	86	front chain set
3	C01157	1	Mounting rod for chain set 100 AB

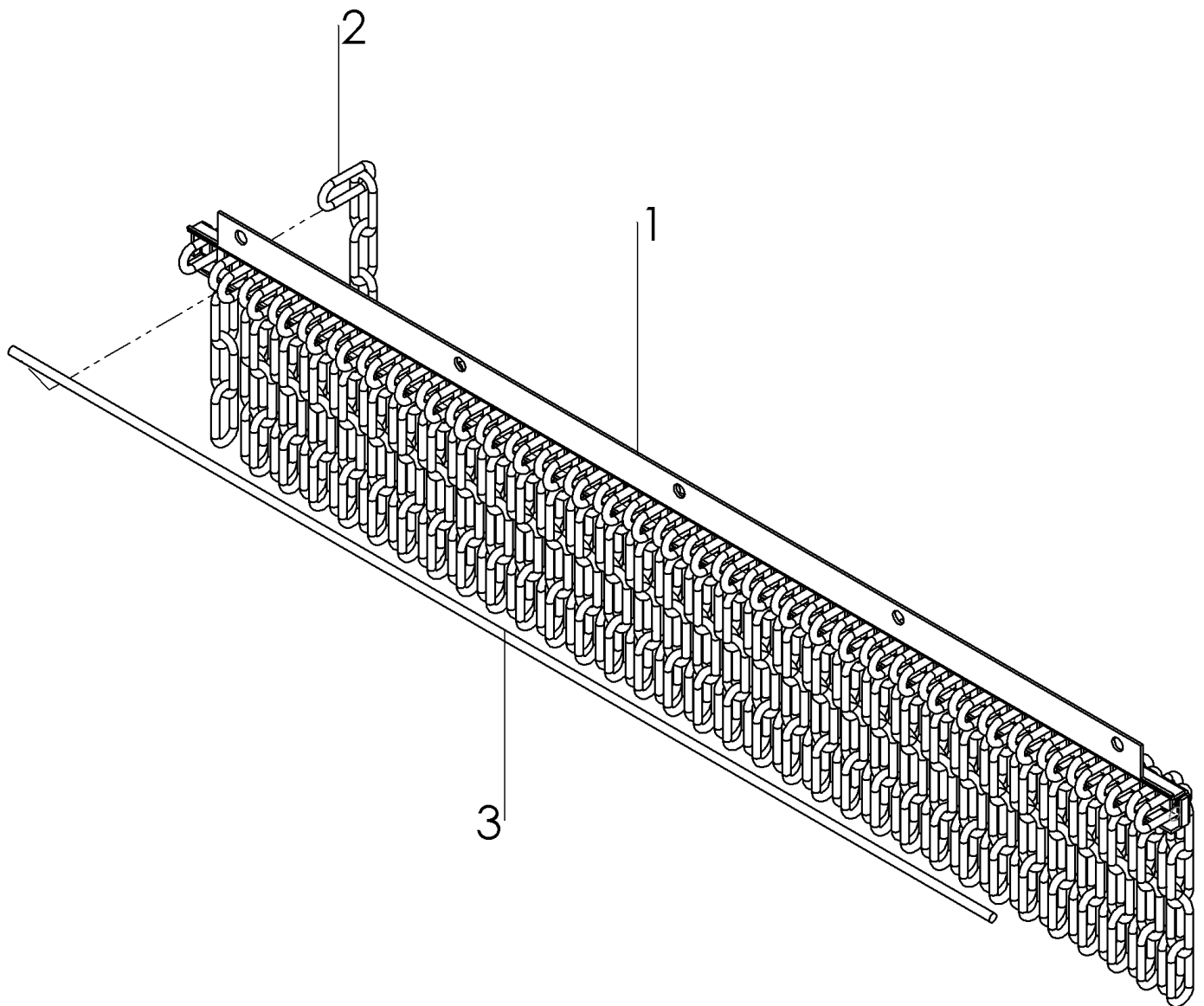
2.14 Front chain guard 120 AB - C01148 R00

No.	Art.-No.	No.	designation
1	C00356	1	Screw-on bar chain guard 120 AB
2	C00720	101	front chain set
3	C01158	1	Mounting rod for chain set 120 AB

2.15 Front chain guard 135 AB - C00716 R00

No.	Art.-No.	No.	designation
1	C00358	1	Screw-on bar chain guard front 135 AB
2	C00720	111	front chain set
3	C00723	1	Mounting rod for chain set 135 AB

2.16 Rear chain guard 65 AB - C01220 R00



No.	Art.-No.	No.	designation
1	C00347	1	Screw-on bar chain guard rear 65 AB
2	C00721	56	rear chain set
3	C01140	1	Mounting rod for chain set 65 AB

2.17 Rear chain guard 90 AB - C01144 R00

No.	Art.-No.	No.	designation
1	C00334	1	Screw-on bar chain guard rear 90 AB
2	C00721	76	rear chain set
3	C01142	1	Mounting rod for chain set 90 AB

2.18 Rear chain guard 100 AB - C01154 R00

No.	Art.-No.	No.	designation
1	C00351	1	screw-on bar chain guard rear 100AB
2	C00721	86	rear chain set
3	C01157	1	Mounting rod for chain set 100 AB

2.19 Rear chain guard 120 AB - C01149 R00

No.	Art.-No.	No.	designation
1	C00355	1	Screw-on bar chain guard rear 120 AB
2	C00721	101	rear chain set
3	C01158	1	Mounting rod for chain set 120 AB